

# DESIGN ATTRIBUTES

## Newly developed seals(double-lip labyrinth RS2)

> Improved protection against contamination with low friction, better retention of grease  
( RS2)

>

## New, special low-noise lubricant

> Lower starting torque over a wide temperature range

>

## Superior surface finish on raceways

> Reduced friction, lower operating temperature

>

## Closer grade balls

> More uniform running and lower noise

>

## Reduced running noise

> Though 100% noise testing with stringent limit values

>100%



RS2 seal



The newly developed  
TG double-lip labyrinth seal  
TG

## Technical data of the lubricant

Operating temperature	-50° to +150°C
Kinematic viscosity $v_{40}$	26 [mm <sup>2</sup> /s]
Worked penetration	250 [1/10mm]
Drop point	190°C
Thickener	Lithium complex
Base oil	Polyolester + diester and additives
Technical characteristics	- Low running noise - Minimal starting torque even at low temperatures - Long service life over a wide temperature range

	-50° to +150°C
$V_{40}$	26 [mm <sup>2</sup> /s]
	250 [1/10mm]
	190°C
	+
	-
	-

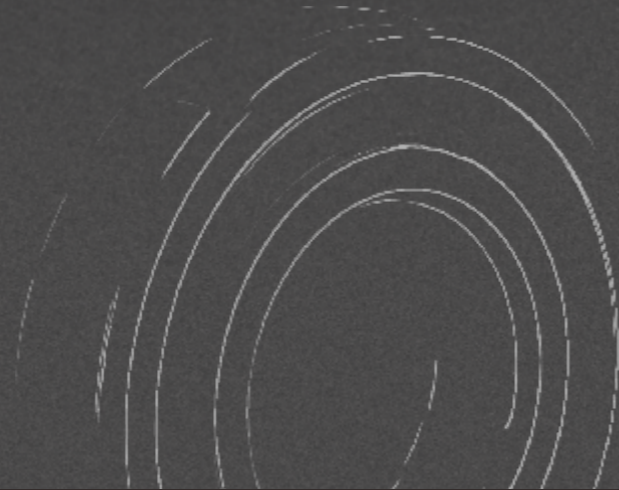
## Typical applications:

electrical motors  
general machinery  
industrial gearboxes  
pumps  
agricultural machinery Etc.

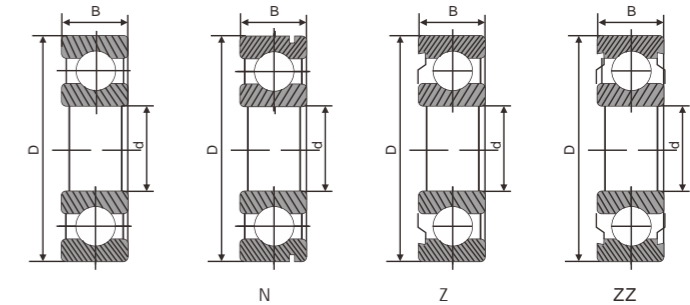


0880325-CN  
PARTS/02  
GENUINE

GENUINE PARTS

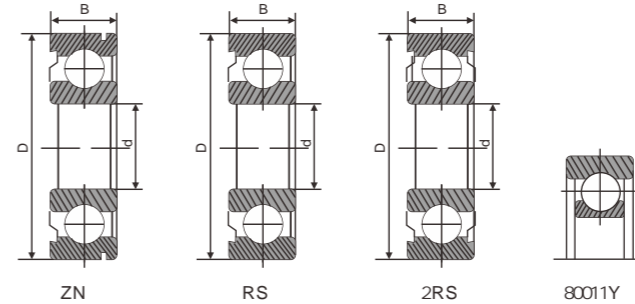
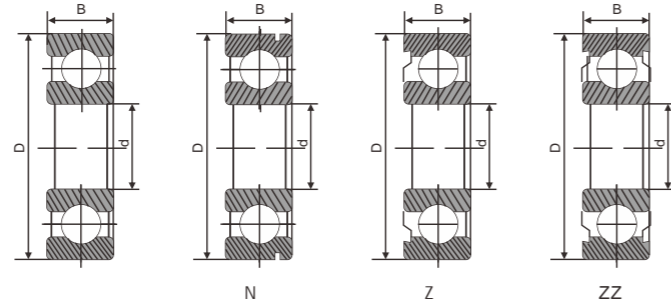


# DEEP GROOVE BALL BEARINGS DATA SHEET



BEARING NO.	BOUNDARY DIMENSIONS (MM)			SPEED RATING (IPM)		BASIC LOAD RATING (KN)		WEIGHT(KG)
	d	D	B	Grease Lubrication	Oil Lubrication	Cr	Cor	
6006	30	55	13	13000	15000	13.2	8.3	0.12
6006-Z	30	55	13	13000	15000	13.2	8.3	0.12
6006-2Z	30	55	13	13000	15000	13.2	8.3	0.12
6006-RS	30	55	13	13000	15000	13.2	8.3	0.12
6006-2RS	30	55	13	13000	15000	13.2	8.3	0.12
6007	35	62	14	12000	14000	16	10.3	0.16
6007-Z	35	62	14	12000	14000	16	10.3	0.16
6007-2Z	35	62	14	12000	14000	16	10.3	0.16
6007-RS	35	62	14	12000	14000	16	10.3	0.16
6007-2RS	35	62	14	12000	14000	16	10.3	0.16
6008	40	68	15	9000	11000	15.34	10.85	0.18
6008-Z	40	68	15	9000	11000	15.34	10.85	0.18
6008-2Z	40	68	15	9000	11000	15.34	10.85	0.18
6008-RS	40	68	15	9000	11000	15.34	10.85	0.18
6008-2RS	40	68	15	9000	11000	15.34	10.85	0.18
6009	45	75	16	8000	10000	21.19	14.77	0.24
6009-Z	45	75	16	8000	10000	21.19	14.77	0.24
6009-2Z	45	75	16	8000	10000	21.19	14.77	0.24
6009-RS	45	75	16	8000	10000	21.19	14.77	0.24
6009-2RS	45	75	16	8000	10000	21.19	14.77	0.24
6009MA	45	75	16	8000	10000	20.59	15.26	0.29
6010	50	80	16	7300	9200	22.05	16.21	0.26

# DEEP GROOVE BALL BEARINGS DATA SHEET

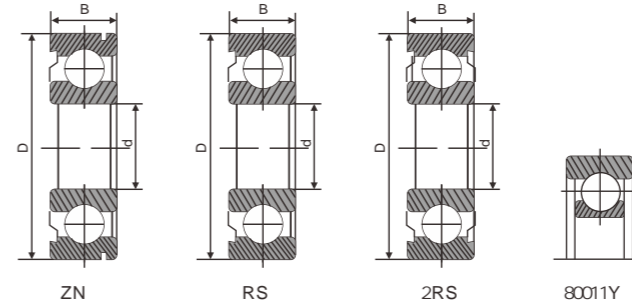
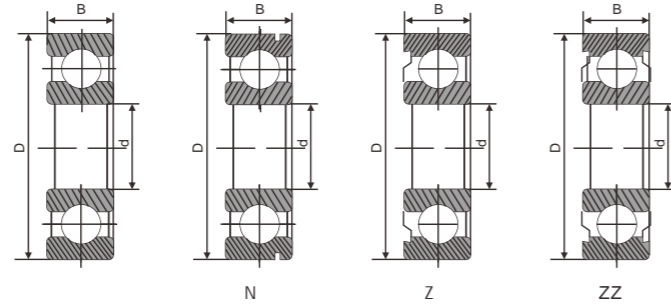


BEARING NO.	BOUNDARY DIMENSIONS (MM)			SPEED RATING (IPM)		BASIC LOAD RATING (KN)		WEIGHT(KG)
	d	D	B	Grease Lubrication	Oil Lubrication	Cr	Cor	
6010N	50	80	16	7300	9200	22.05	16.21	0.26
6010-Z	50	80	16	7300	9200	22.05	16.21	0.26
6010-ZZ	50	80	16	7300	9200	22.05	16.21	0.26
6010-RS	50	80	16	7300	9200	22.05	16.21	0.26
6010-2RS	50	80	16	7300	9200	22.05	16.21	0.26
6011	55	90	18	6300	8000	30.97	22.52	0.37
6011-Z	55	90	18	6300	8000	30.97	22.52	0.37
6011-ZZ	55	90	18	6300	8000	30.97	22.52	0.37
6011-RS	55	90	18	6300	8000	30.97	22.52	0.37
6011-2RS	55	90	18	6300	8000	30.97	22.52	0.37
6012	60	95	18	6000	7500	31.65	24.22	0.39
6012-Z	60	95	18	6000	7500	31.65	24.22	0.39
6012-ZZ	60	95	18	6000	7500	31.65	24.22	0.39
6012-RS	60	95	18	6000	7500	31.65	24.22	0.39
6012-2RS	60	95	18	6000	7500	31.65	24.22	0.39
6013	65	100	18	5800	7200	32.23	24.72	0.42
6013-Z	65	100	18	5800	7200	32.23	24.72	0.42
6013-ZZ	65	100	18	5800	7200	32.23	24.72	0.42
6013-RS	65	100	18	5800	7200	32.23	24.72	0.42
6013-2RS	65	100	18	5800	7200	32.23	24.72	0.42
6014	70	110	20	5400	6400	38.72	30.3	0.59
6014-Z	70	110	20	5400	6400	38.72	30.3	0.59

BEARING NO.	BOUNDARY DIMENSIONS (MM)			SPEED RATING (IPM)		BASIC LOAD RATING (KN)		WEIGHT(KG)
	d	D	B	Grease Lubrication	Oil Lubrication	Cr	Cor	
6014-2Z	70	110	20	5400	6400	38.72	30.3	0.59
6014-RS	70	110	20	5400	6400	38.72	30.3	0.59
6014-2RS	70	110	20	5400	6400	38.72	30.3	0.59
6015	75	115	20	5100	6100	39.5	33.5	0.64
6015-Z	75	115	20	5100	6100	39.5	33.5	0.64
6015-2Z	75	115	20	5100	6100	39.5	33.5	0.64
6015-RS	75	115	20	5100	6100	39.5	33.5	0.64
6015-2RS	75	115	20	5100	6100	39.5	33.5	0.64
6016	80	125	22	4800	5800	47.5	40	0.86
6016-Z	80	125	22	4800	5800	47.5	40	0.86
6016-2Z	80	125	22	4800	5800	47.5	40	0.86
6016-RS	80	125	22	4800	5800	47.5	40	0.86
6016-2RS	80	125	22	4800	5800	47.5	40	0.86
6017	85	130	22	4500	5400	51.33	42.8	0.87
6017-Z	85	130	22	4500	5400	51.33	42.8	0.87
6017-2Z	85	130	22	4500	5400	51.33	42.8	0.87
6017-RS	85	130	22	4500	5400	51.33	42.8	0.87
6017-2RS	85	130	22	4500	5400	51.33	42.8	0.87
6018	90	140	24	4200	5000	58	49.5	1.02
6018-Z	90	140	24	4200	5000	58	49.5	1.02
6018-2Z	90	140	24	4200	5000	58	49.5	1.02
6018-RS	90	140	24	4200	5000	58	49.5	1.02

# DEEP GROOVE BALL BEARINGS

## DATA SHEET

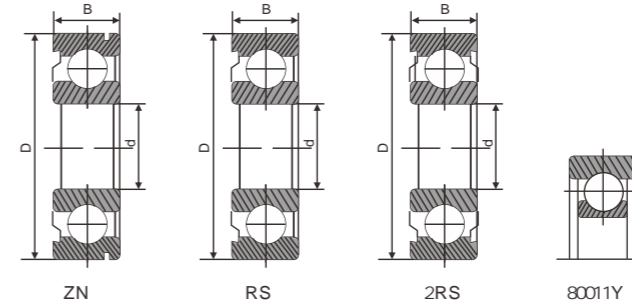
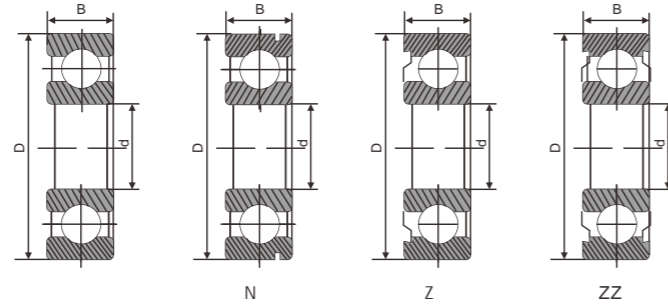


BEARING NO.	BOUNDARY DIMENSIONS (MM)			SPEED RATING (IPM)		BASIC LOAD RATING (KN)		WEIGHT(KG)
	d	D	B	Grease Lubrication	Oil Lubrication	Cr	Cor	
6018-2RS	90	140	24	4200	5000	58	49.5	1.02
6019	95	145	24	4500	5300	60.5	54	1.08
6019-Z	95	145	24	4500	5300	60.5	54	1.08
6019-2Z	95	145	24	4500	5300	60.5	54	1.08
6019-RS	95	145	24	4500	5300	60.5	54	1.08
6019-2RS	95	145	24	4500	5300	60.5	54	1.08
6020	100	150	24	4200	5000	63.84	55.91	1.2
6020-Z	100	150	24	4200	5000	63.84	55.91	1.2
6020-2Z	100	150	24	4200	5000	63.84	55.91	1.2
6020-RS	100	150	24	4200	5000	63.84	55.91	1.2
6020-2RS	100	150	24	4200	5000	63.84	55.91	1.2
6022	110	170	28	3800	4500	81.9	72.8	1.93
6022-Z	110	170	28	3800	4500	81.9	72.8	1.93
6022-2Z	110	170	28	3800	4500	81.9	72.8	1.93
6022-RS	110	170	28	3800	4500	81.9	72.8	1.93
6022-2RS	110	170	28	3800	4500	81.9	72.8	1.93
6024	120	180	28	3500	4100	88	78.8	2.03
6024-Z	120	180	28	3500	4100	88	78.8	2.03
6024-2Z	120	180	28	3500	4100	88	78.8	2.03
6024-RS	120	180	28	3500	4100	88	78.8	2.03
6024-2RS	120	180	28	3500	4100	88	78.8	2.03
6026	130	200	33	3200	3800	105.4	96.3	3.15

BEARING NO.	BOUNDARY DIMENSIONS (MM)			SPEED RATING (IPM)		BASIC LOAD RATING (KN)		WEIGHT(KG)
	d	D	B	Grease Lubrication	Oil Lubrication	Cr	Cor	
6026-Z	130	200	33	3200	3800	105.4	96.3	3.15
6026-2Z	130	200	33	3200	3800	105.4	96.3	3.15
6026-RS	130	200	33	3200	3800	105.4	96.3	3.15
6026-2RS	130	200	33	3200	3800	105.4	96.3	3.15
6028	140	210	33	3000	3600	105.7	101.5	3.34
6028-Z	140	210	33	3000	3600	105.7	101.5	3.34
6028-2Z	140	210	33	3000	3600	105.7	101.5	3.34
6028-RS	140	210	33	3000	3600	105.7	101.5	3.34
6028-2RS	140	210	33	3000	3600	105.7	101.5	3.34
6030	150	225	35	2800	3200	126	126	4.08
6030-Z	150	225	35	2800	3200	126	126	4.08
6030-2Z	150	225	35	2800	3200	126	126	4.08
6030-RS	150	225	35	2800	3200	126	126	4.08
6030-2RS	150	225	35	2800	3200	126	126	4.08
6202	15	35	11	18000	23000	7.75	3.6	0.05
6202-Z	15	35	11	18000	23000	7.75	3.6	0.05
6202-2Z	15	35	11	18000	23000	7.75	3.6	0.05
6202-RS	15	35	11	18000	23000	7.75	3.6	0.05
6202-2RS	15	35	11	18000	23000	7.75	3.6	0.05
6203	17	40	12	16000	21000	9.6	4.6	0.07
6203-Z	17	40	12	16000	21000	9.6	4.6	0.07
6203-2Z	17	40	12	16000	21000	9.6	4.6	0.07

# DEEP GROOVE BALL BEARINGS

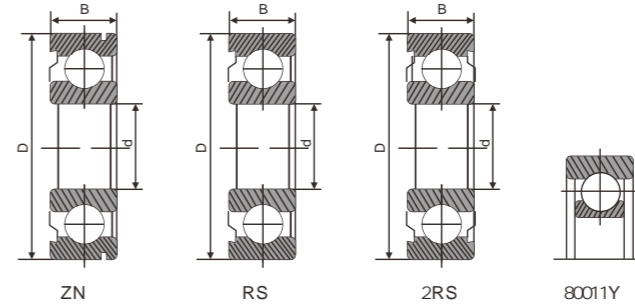
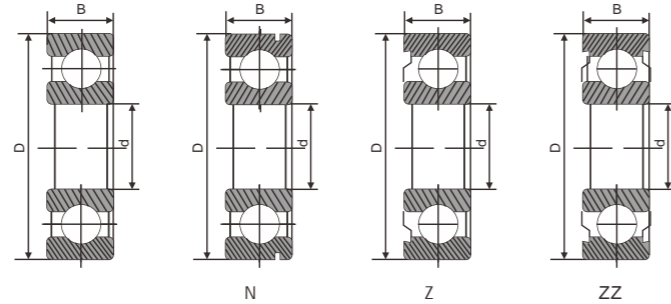
## DATA SHEET



BEARING NO.	BOUNDARY DIMENSIONS (MM)			SPEED RATING (IPM)		BASIC LOAD RATING (KN)		WEIGHT(KG)
	d	D	B	Grease Lubrication	Oil Lubrication	Cr	Cor	
6203-RS	17	40	12	16000	21000	9.6	4.6	0.07
6203-2RS	17	40	12	16000	21000	9.6	4.6	0.07
6204	20	47	14	15000	18000	10	7	0.11
6204-Z	20	47	14	15000	18000	10	7	0.11
6204-2Z	20	47	14	15000	18000	10	7	0.11
6204-RS	20	47	14	15000	18000	10	7	0.11
6204-2RS	20	47	14	15000	18000	10	7	0.11
6205	25	52	15	12000	15000	13.95	7.94	0.13
6205-Z	25	52	15	12000	15000	13.95	7.94	0.13
6205-2Z	25	52	15	12000	15000	13.95	7.94	0.13
6205-RS	25	52	15	12000	15000	13.95	7.94	0.13
6205-2RS	25	52	15	12000	15000	13.95	7.94	0.13
6206	30	62	16	10000	13000	19.37	11.18	0.2
6206/P5	30	62	16	10000	13000	19.37	11.18	0.2
6206/P6	30	62	16	10000	13000	19.37	11.18	0.2
6206N	30	62	16	10000	13000	19.37	11.18	0.2
6206-Z	30	62	16	10000	13000	19.37	11.18	0.2
6206-2Z	30	62	16	10000	13000	19.37	11.18	0.2
6206-RS	30	62	16	10000	13000	19.37	11.18	0.2
6206-2RS	30	62	16	10000	13000	19.37	11.18	0.2
6207	35	72	17	9000	11000	19.67	13.66	0.29
6207/P5	35	72	17	9000	11000	19.67	13.66	0.29

BEARING NO.	BOUNDARY DIMENSIONS (MM)			SPEED RATING (IPM)		BASIC LOAD RATING (KN)		WEIGHT(KG)
	d	D	B	Grease Lubrication	Oil Lubrication	Cr	Cor	
6207/P6	35	72	17	9000	11000	19.67	13.66	0.29
6207N	35	72	17	9000	11000	19.67	13.66	0.29
6207-Z	35	72	17	9000	11000	19.67	13.66	0.29
6207-2Z	35	72	17	9000	11000	19.67	13.66	0.29
6207-RS	35	72	17	9000	11000	19.67	13.66	0.29
6207-2RS	35	72	17	9000	11000	19.67	13.66	0.29
6208	40	80	18	8000	10000	29.36	18.14	0.37
6208/P5	40	80	18	8000	10000	29.36	18.14	0.37
6208/P6	40	80	18	8000	10000	29.36	18.14	0.37
6208N	40	80	18	8000	10000	29.36	18.14	0.37
6208-Z	40	80	18	8000	10000	29.36	18.14	0.37
6208-2Z	40	80	18	8000	10000	29.36	18.14	0.37
6208-RS	40	80	18	8000	10000	29.36	18.14	0.37
6208-2RS	40	80	18	8000	10000	29.36	18.14	0.37
6209	45	85	19	7000	9000	31.66	20.73	0.42
6209/P5	45	85	19	7000	9000	31.66	20.73	0.42
6209/P6	45	85	19	7000	9000	31.66	20.73	0.42
6209N	45	85	19	7000	9000	31.66	20.73	0.42
6209-Z	45	85	19	7000	9000	31.66	20.73	0.42
6209-2Z	45	85	19	7000	9000	31.66	20.73	0.42
6209-RS	45	85	19	7000	9000	31.66	20.73	0.42
6209-2RS	45	85	19	7000	9000	31.66	20.73	0.42

# DEEP GROOVE BALL BEARINGS DATA SHEET



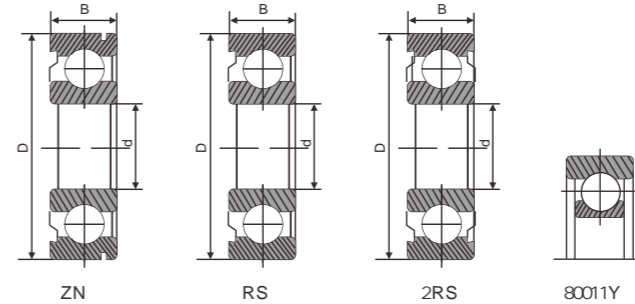
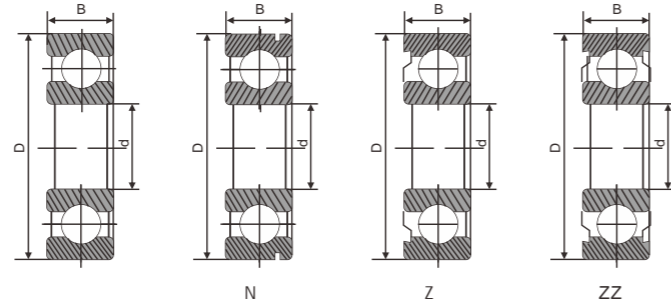
BEARING NO.	BOUNDARY DIMENSIONS (MM)			SPEED RATING (IPM)		BASIC LOAD RATING (KN)		WEIGHT(KG)
	d	D	B	Grease Lubrication	Oil Lubrication	Cr	Cor	
6210	50	90	20	6700	8500	35.06	23.22	0.47
6210/P5	50	90	20	6700	8500	35.06	23.22	0.47
6210/P6	50	90	20	6700	8500	35.06	23.22	0.47
6210N	50	90	20	6700	8500	35.06	23.22	0.47
6210-Z	50	90	20	6700	8500	35.06	23.22	0.47
6210-2Z	50	90	20	6700	8500	35.06	23.22	0.47
6210-RS	50	90	20	6700	8500	35.06	23.22	0.47
6210-2RS	50	90	20	6700	8500	35.06	23.22	0.47
6211	55	100	21	6000	7500	43.35	28.98	0.6
6211/P5	55	100	21	6000	7500	43.35	28.98	0.6
6211/P6	55	100	21	6000	7500	43.35	28.98	0.6
6211N	55	100	21	6000	7500	43.35	28.98	0.6
6211-Z	55	100	21	6000	7500	43.35	28.98	0.6
6211-2Z	55	100	21	6000	7500	43.35	28.98	0.6
6211-RS	55	100	21	6000	7500	43.35	28.98	0.6
6211-2RS	55	100	21	6000	7500	43.35	28.98	0.6
6212	60	110	22	5600	7000	47.77	32.75	0.79
6212/P5	60	110	22	5600	7000	47.77	32.75	0.79
6212/P6	60	110	22	5600	7000	47.77	32.75	0.79
6212N	60	110	22	5600	7000	47.77	32.75	0.79
6212-Z	60	110	22	5600	7000	47.77	32.75	0.79
6212-2Z	60	110	22	5600	7000	47.77	32.75	0.79

BEARING NO.	BOUNDARY DIMENSIONS (MM)			SPEED RATING (IPM)		BASIC LOAD RATING (KN)		WEIGHT(KG)
	d	D	B	Grease Lubrication	Oil Lubrication	Cr	Cor	
6212-ZN	60	110	22	5600	7000	47.77	32.75	0.79
6212-RS	60	110	22	5600	7000	47.77	32.75	0.79
6212-2RS	60	110	22	5600	7000	47.77	32.75	0.79
6213	65	120	23	5000	6300	57.21	40.01	1
6213N	65	120	23	5000	6300	57.21	40.01	1
6213-Z	65	120	23	5000	6300	57.21	40.01	1
6213-2Z	65	120	23	5000	6300	57.21	40.01	1
6213-ZN	65	120	23	5000	6300	57.21	40.01	1
6213-RS	65	120	23	5000	6300	57.21	40.01	1
6213-2RS	65	120	23	5000	6300	57.21	40.01	1
6214	70	125	24	4800	6000	60.65	44.92	1.09
6214N	70	125	24	4800	6000	60.65	44.92	1.09
6214-Z	70	125	24	4800	6000	60.65	44.92	1.09
6214-2Z	70	125	24	4800	6000	60.65	44.92	1.09
6214-ZN	70	125	24	4800	6000	60.65	44.92	1.09
6214-RS	70	125	24	4800	6000	60.65	44.92	1.09
6214-2RS	70	125	24	4800	6000	60.65	44.92	1.09
6215	75	130	25	4500	5600	65.95	49.3	1.17
6215N	75	130	25	4500	5600	65.95	49.3	1.17
6215-Z	75	130	25	4500	5600	65.95	49.3	1.17
6215-2Z	75	130	25	4500	5600	65.95	49.3	1.17
6215-ZN	75	130	25	4500	5600	65.95	49.3	1.17



# DEEP GROOVE BALL BEARINGS

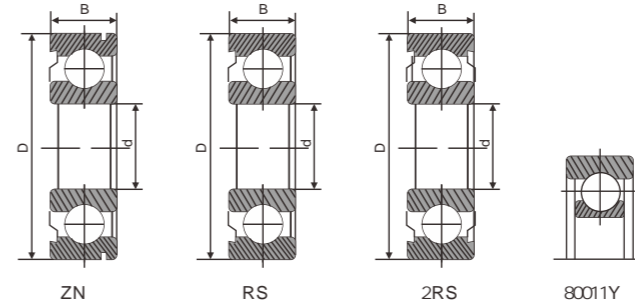
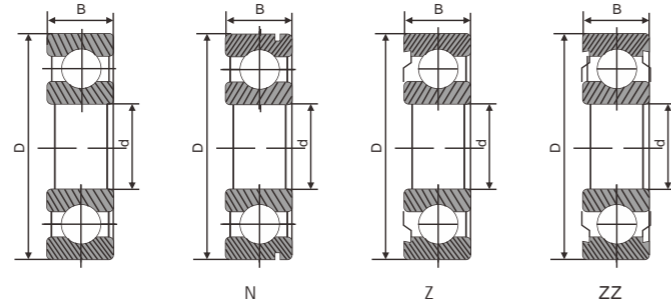
## DATA SHEET



BEARING NO.	BOUNDARY DIMENSIONS (MM)			SPEED RATING (IPM)		BASIC LOAD RATING (KN)		WEIGHT(KG)
	d	D	B	Grease Lubrication	Oil Lubrication	Cr	Cor	
6215-RS	75	130	25	4500	5600	65.95	49.3	1.17
6215-2RS	75	130	25	4500	5600	65.95	49.3	1.17
6216	80	140	26	4300	5300	71.44	53.89	1.44
6216N	80	140	26	4300	5300	71.44	53.89	1.44
6216-Z	80	140	26	4300	5300	71.44	53.89	1.44
6216-2Z	80	140	26	4300	5300	71.44	53.89	1.44
6216-ZN	80	140	26	4300	5300	71.44	53.89	1.44
6216-RS	80	140	26	4300	5300	71.44	53.89	1.44
6216-2RS	80	140	26	4300	5300	71.44	53.89	1.44
6217	85	150	28	4000	5000	83.02	63.67	1.8
6217N	85	150	28	4000	5000	83.02	63.67	1.8
6217-Z	85	150	28	4000	5000	83.02	63.67	1.8
6217-2Z	85	150	28	4000	5000	83.02	63.67	1.8
6217-ZN	85	150	28	4000	5000	83.02	63.67	1.8
6217-RS	85	150	28	4000	5000	83.02	63.67	1.8
6217-2RS	85	150	28	4000	5000	83.02	63.67	1.8
6218	90	160	30	3800	4800	96.01	71.12	2.17
6218N	90	160	30	3800	4800	96.01	71.12	2.17
6218-Z	90	160	30	3800	4800	96.01	71.12	2.17
6218-2Z	90	160	30	3800	4800	96.01	71.12	2.17
6218-ZN	90	160	30	3800	4800	96.01	71.12	2.17
6218-RS	90	160	30	3800	4800	96.01	71.12	2.17

BEARING NO.	BOUNDARY DIMENSIONS (MM)			SPEED RATING (IPM)		BASIC LOAD RATING (KN)		WEIGHT(KG)
	d	D	B	Grease Lubrication	Oil Lubrication	Cr	Cor	
6218-2RS	90	160	30	3800	4800	96.01	71.12	2.17
6219	95	170	32	3600	4600	110.26	82.94	2.61
6219N	95	170	32	3600	4600	110.26	82.94	2.61
6219-Z	95	170	32	3600	4600	110.26	82.94	2.61
6219-2Z	95	170	32	3600	4600	110.26	82.94	2.61
6219-ZN	95	170	32	3600	4600	110.26	82.94	2.61
6219-RS	95	170	32	3600	4600	110.26	82.94	2.61
6219-2RS	95	170	32	3600	4600	110.26	82.94	2.61
6220	100	180	34	3400	4300	122.1	92.9	3.19
6220N	100	180	34	3400	4300	122.1	92.9	3.19
6220-Z	100	180	34	3400	4300	122.1	92.9	3.19
6220-2Z	100	180	34	3400	4300	122.1	92.9	3.19
6220-ZN	100	180	34	3400	4300	122.1	92.9	3.19
6220-RS	100	180	34	3400	4300	122.1	92.9	3.19
6220-2RS	100	180	34	3400	4300	122.1	92.9	3.19
6221	105	190	36	3200	4000	132.92	104.88	3.78
6221N	105	190	36	3200	4000	132.92	104.88	3.78
6221-Z	105	190	36	3200	4000	132.92	104.88	3.78
6221-2Z	105	190	36	3200	4000	132.92	104.88	3.78
6221-ZN	105	190	36	3200	4000	132.92	104.88	3.78
6221-RS	105	190	36	3200	4000	132.92	104.88	3.78
6221-2RS	105	190	36	3200	4000	132.92	104.88	3.78

# DEEP GROOVE BALL BEARINGS DATA SHEET



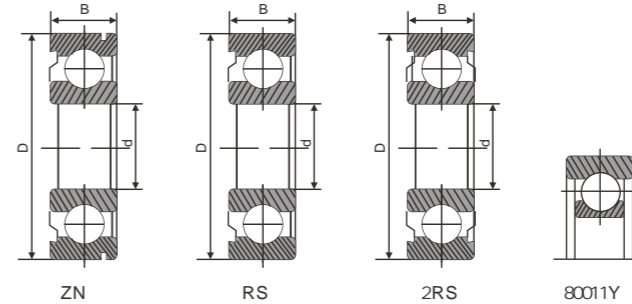
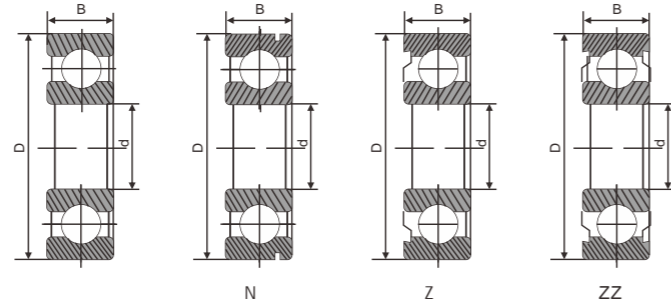
BEARING NO.	BOUNDARY DIMENSIONS (MM)			SPEED RATING (IPM)		BASIC LOAD RATING (KN)		WEIGHT(KG)
	d	D	B	Grease Lubrication	Oil Lubrication	Cr	Cor	
6222	110	200	38	3000	3800	143.99	117.58	4.43
6222N	110	200	38	3000	3800	143.99	117.58	4.43
6222-Z	110	200	38	3000	3800	143.99	117.58	4.43
6222-ZZ	110	200	38	3000	3800	143.99	117.58	4.43
6222-ZN	110	200	38	3000	3800	143.99	117.58	4.43
6222-RS	110	200	38	3000	3800	143.99	117.58	4.43
6222-2RS	110	200	38	3000	3800	143.99	117.58	4.43
6224	120	215	40	2600	3400	155.31	131	5.31
6224N	120	215	40	2600	3400	155.31	131	5.31
6224-Z	120	215	40	2600	3400	155.31	131	5.31
6224-ZZ	120	215	40	2600	3400	155.31	131	5.31
6224-RS	120	215	40	2600	3400	155.31	131	5.31
6224-2RS	120	215	40	2600	3400	155.31	131	5.31
6226	130	230	40	2400	3200	167	146	5.82
6226N	130	230	40	2400	3200	167	146	5.82
6226-Z	130	230	40	2400	3200	167	146	5.82
6226-ZZ	130	230	40	2400	3200	167	146	5.82
6226-RS	130	230	40	2400	3200	167	146	5.82
6226-2RS	130	230	40	2400	3200	167	146	5.82
6228	140	250	42	2500	2900	178.89	165.58	7.79
6228N	140	250	42	2500	2900	178.89	165.58	7.79
6228-Z	140	250	42	2500	2900	178.89	165.58	7.79

BEARING NO.	BOUNDARY DIMENSIONS (MM)			SPEED RATING (IPM)		BASIC LOAD RATING (KN)		WEIGHT(KG)
	d	D	B	Grease Lubrication	Oil Lubrication	Cr	Cor	
6228-2Z	140	250	42	2500	2900	178.89	165.58	7.79
6228-RS	140	250	42	2500	2900	178.89	165.58	7.79
6228-2RS	140	250	42	2500	2900	178.89	165.58	7.79
6230	150	270	45	2300	2700	176	168	9.41
6230N	150	270	45	2300	2700	176	168	9.41
6230-Z	150	270	45	2300	2700	176	168	9.41
6230-2Z	150	270	45	2300	2700	176	168	9.41
6230-RS	150	270	45	2300	2700	176	168	9.41
6230-2RS	150	270	45	2300	2700	176	168	9.41
6232	160	290	48	2100	2500	215.1	218.5	12.27
6232N	160	290	48	2100	2500	215.1	218.5	12.27
6232-Z	160	290	48	2100	2500	215.1	218.5	12.27
6232-2Z	160	290	48	2100	2500	215.1	218.5	12.27
6232-RS	160	290	48	2100	2500	215.1	218.5	12.27
6232-2RS	160	290	48	2100	2500	215.1	218.5	12.27
6234	170	310	52	2000	2400	245.3	258.7	15.28
6234N	170	310	52	2000	2400	245.3	258.7	15.28
6234-Z	170	310	52	2000	2400	245.3	258.7	15.28
6234-2Z	170	310	52	2000	2400	245.3	258.7	15.28
6234-RS	170	310	52	2000	2400	245.3	258.7	15.28
6234-2RS	170	310	52	2000	2400	245.3	258.7	15.28
6236	180	320	52	1900	2200	262.7	285.2	15.56



# DEEP GROOVE BALL BEARINGS

## DATA SHEET

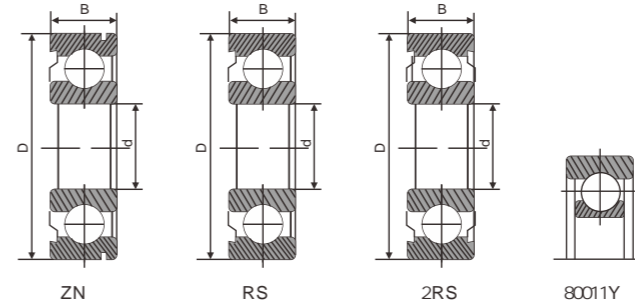
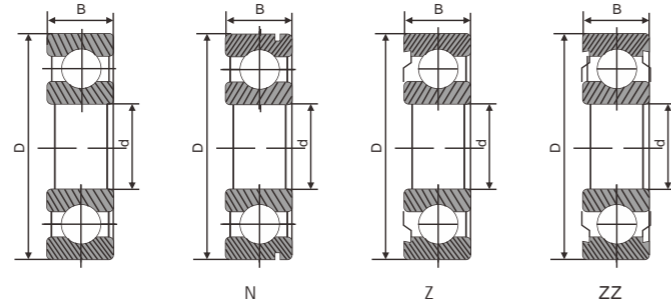


BEARING NO.	BOUNDARY DIMENSIONS (MM)			SPEED RATING (IPM)		BASIC LOAD RATING (KN)		WEIGHT(KG)
	d	D	B	Grease Lubrication	Oil Lubrication	Cr	Cor	
6236N	180	320	52	1900	2200	262.7	285.2	15.56
6236-Z	180	320	52	1900	2200	262.7	285.2	15.56
6236-ZZ	180	320	52	1900	2200	262.7	285.2	15.56
6236-RS	180	320	52	1900	2200	262.7	285.2	15.56
6236-2RS	180	320	52	1900	2200	262.7	285.2	15.56
6238	190	340	55	1800	2100	284.3	319.5	18.77
6238N	190	340	55	1800	2100	284.3	319.5	18.77
6238-Z	190	340	55	1800	2100	284.3	319.5	18.77
6238-ZZ	190	340	55	1800	2100	284.3	319.5	18.77
6238-RS	190	340	55	1800	2100	284.3	319.5	18.77
6238-2RS	190	340	55	1800	2100	284.3	319.5	18.77
6240	200	360	58	1700	2000	288.3	331.9	22.7
6240N	200	360	58	1700	2000	288.3	331.9	22.7
6240-Z	200	360	58	1700	2000	288.3	331.9	22.7
6240-ZZ	200	360	58	1700	2000	288.3	331.9	22.7
6240-RS	200	360	58	1700	2000	288.3	331.9	22.7
6240-2RS	200	360	58	1700	2000	288.3	331.9	22.7
6244	220	400	65	1500	1800	297	365	30.2
6244N	220	400	65	1500	1800	297	365	30.2
6244-Z	220	400	65	1500	1800	297	365	30.2
6244-ZZ	220	400	65	1500	1800	297	365	30.2
6244-RS	220	400	65	1500	1800	297	365	30.2

BEARING NO.	BOUNDARY DIMENSIONS (MM)			SPEED RATING (IPM)		BASIC LOAD RATING (KN)		WEIGHT(KG)
	d	D	B	Grease Lubrication	Oil Lubrication	Cr	Cor	
6244-2RS	220	400	65	1500	1800	297	365	30.2
6302	15	42	13	16000	21000	11.4	5.45	0.08
6302-Z	15	42	13	16000	21000	11.4	5.45	0.08
6302-2Z	15	42	13	16000	21000	11.4	5.45	0.08
6302-RS	15	42	13	16000	21000	11.4	5.45	0.08
6302-2RS	15	42	13	16000	21000	11.4	5.45	0.08
6303	17	47	14	15000	18000	13.5	6.55	0.12
6303-Z	17	47	14	15000	18000	13.5	6.55	0.12
6303-2Z	17	47	14	15000	18000	13.5	6.55	0.12
6303-RS	17	47	14	15000	18000	13.5	6.55	0.12
6303-2RS	17	47	14	15000	18000	13.5	6.55	0.12
6304	20	52	15	13000	17000	16	7.81	0.14
6304-Z	20	52	15	13000	17000	16	7.81	0.14
6304-2Z	20	52	15	13000	17000	16	7.81	0.14
6304-RS	20	52	15	13000	17000	16	7.81	0.14
6304-2RS	20	52	15	13000	17000	16	7.81	0.14
6305	25	62	17	10000	14000	22.46	11.38	0.22
6305-Z	25	62	17	10000	14000	22.46	11.38	0.22
6305-2Z	25	62	17	10000	14000	22.46	11.38	0.22
6305-RS	25	62	17	10000	14000	22.46	11.38	0.22
6305-2RS	25	62	17	10000	14000	22.46	11.38	0.22
6306	30	72	19	9000	12000	26.87	15.2	0.35

# DEEP GROOVE BALL BEARINGS

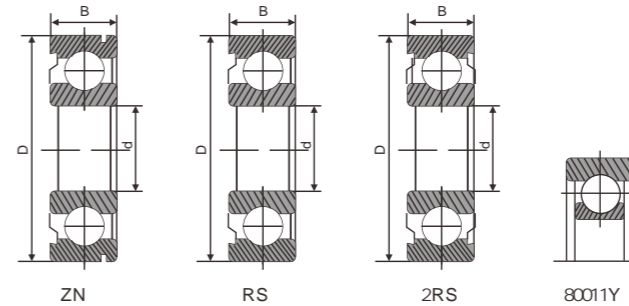
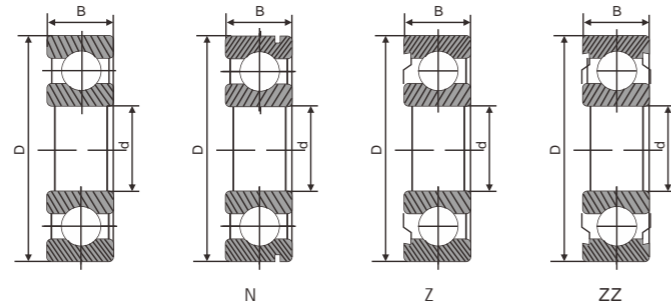
## DATA SHEET



BEARING NO.	BOUNDARY DIMENSIONS (MM)			SPEED RATING (IPM)		BASIC LOAD RATING (KN)		WEIGHT(KG)
	d	D	B	Grease Lubrication	Oil Lubrication	Cr	Cor	
6306/P5	30	72	19	9000	12000	26.87	15.2	0.35
6306/P6	30	72	19	9000	12000	26.87	15.2	0.35
6306N	30	72	19	9000	12000	26.87	15.2	0.35
6306-Z	30	72	19	9000	12000	26.87	15.2	0.35
6306-2Z	30	72	19	9000	12000	26.87	15.2	0.35
6306-RS	30	72	19	9000	12000	26.87	15.2	0.35
6306-2RS	30	72	19	9000	12000	26.87	15.2	0.35
6307	35	80	21	8000	10000	33.66	18.29	0.45
6307/P5	35	80	21	8000	10000	33.66	18.29	0.45
6307/P6	35	80	21	8000	10000	33.66	18.29	0.45
6307N	35	80	21	8000	10000	33.66	18.29	0.45
6307-Z	35	80	21	8000	10000	33.66	18.29	0.45
6307-2Z	35	80	21	8000	10000	33.66	18.29	0.45
6307-RS	35	80	21	8000	10000	33.66	18.29	0.45
6307-2RS	35	80	21	8000	10000	33.66	18.29	0.45
6308	40	90	23	7000	9000	40.55	24.01	0.64
6308/P5	40	90	23	7000	9000	40.55	24.01	0.64
6308/P6	40	90	23	7000	9000	40.55	24.01	0.64
6308N	40	90	23	7000	9000	40.55	24.01	0.64
6308-Z	40	90	23	7000	9000	40.55	24.01	0.64
6308-2Z	40	90	23	7000	9000	40.55	24.01	0.64
6308-RS	40	90	23	7000	9000	40.55	24.01	0.64

BEARING NO.	BOUNDARY DIMENSIONS (MM)			SPEED RATING (IPM)		BASIC LOAD RATING (KN)		WEIGHT(KG)
	d	D	B	Grease Lubrication	Oil Lubrication	Cr	Cor	
6308-2RS	40	90	23	7000	9000	40.55	24.01	0.64
6309	45	100	25	6300	8000	52.79	31.71	0.84
6309/P5	45	100	25	6300	8000	52.79	31.71	0.84
6309/P6	45	100	25	6300	8000	52.79	31.71	0.84
6309N	45	100	25	6300	8000	52.79	31.71	0.84
6309-Z	45	100	25	6300	8000	52.79	31.71	0.84
6309-2Z	45	100	25	6300	8000	52.79	31.71	0.84
6309-ZN	45	100	25	6300	8000	52.79	31.71	0.84
6309-RS	45	100	25	6300	8000	52.79	31.71	0.84
6309-2RS	45	100	25	6300	8000	52.79	31.71	0.84
6310	50	110	27	6000	7500	61.75	37.74	1.08
6310/P5	50	110	27	6000	7500	61.75	37.74	1.08
6310/P6	50	110	27	6000	7500	61.75	37.74	1.08
6310N	50	110	27	6000	7500	61.75	37.74	1.08
6310-Z	50	110	27	6000	7500	61.75	37.74	1.08
6310-2Z	50	110	27	6000	7500	61.75	37.74	1.08
6310-ZN	50	110	27	6000	7500	61.75	37.74	1.08
6310-RS	50	110	27	6000	7500	61.75	37.74	1.08
6310-2RS	50	110	27	6000	7500	61.75	37.74	1.08
6311	55	120	29	5300	6700	71.32	44.29	1.32
6311/P5	55	120	29	5300	6700	71.32	44.29	1.32
6311/P6	55	120	29	5300	6700	71.32	44.29	1.32

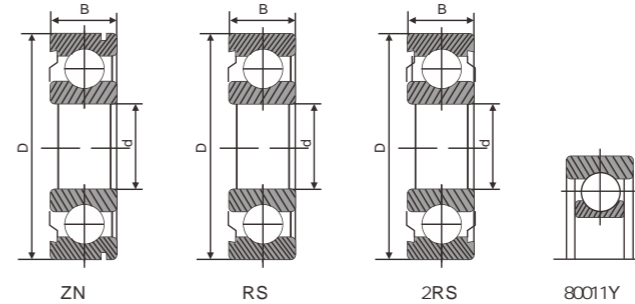
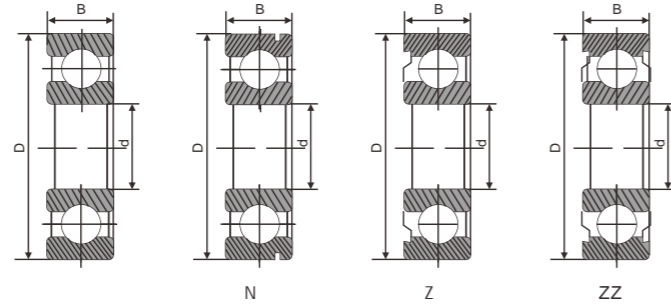
# DEEP GROOVE BALL BEARINGS DATA SHEET



BEARING NO.	BOUNDARY DIMENSIONS (MM)			SPEED RATING (IPM)		BASIC LOAD RATING (KN)		WEIGHT(KG)
	d	D	B	Grease Lubrication	Oil Lubrication	Cr	Cor	
6311N	55	120	29	5300	6700	71.32	44.29	1.32
6311-Z	55	120	29	5300	6700	71.32	44.29	1.32
6311-ZZ	55	120	29	5300	6700	71.32	44.29	1.32
6311-ZN	55	120	29	5300	6700	71.32	44.29	1.32
6311-RS	55	120	29	5300	6700	71.32	44.29	1.32
6311-2RS	55	120	29	5300	6700	71.32	44.29	1.32
6312	60	130	31	5000	6300	81.5	52.16	1.7
6312/P5	60	130	31	5000	6300	81.5	52.16	1.7
6312/P6	60	130	31	5000	6300	81.5	52.16	1.7
6312N	60	130	31	5000	6300	81.5	52.16	1.7
6312-Z	60	130	31	5000	6300	81.5	52.16	1.7
6312-ZZ	60	130	31	5000	6300	81.5	52.16	1.7
6312-ZN	60	130	31	5000	6300	81.5	52.16	1.7
6312-RS	60	130	31	5000	6300	81.5	52.16	1.7
6312-2RS	60	130	31	5000	6300	81.5	52.16	1.7
6312M	60	130	31	5000	6300	81.5	52.16	1.98
6313	65	140	33	4500	5600	92.27	59.87	2.09
6313/P5	65	140	33	4500	5600	92.27	59.87	2.09
6313/P6	65	140	33	4500	5600	92.27	59.87	2.09
6313N	65	140	33	4500	5600	92.27	59.87	2.09
6313-Z	65	140	33	4500	5600	92.27	59.87	2.09
6313-ZZ	65	140	33	4500	5600	92.27	59.87	2.09

BEARING NO.	BOUNDARY DIMENSIONS (MM)			SPEED RATING (IPM)		BASIC LOAD RATING (KN)		WEIGHT(KG)
	d	D	B	Grease Lubrication	Oil Lubrication	Cr	Cor	
6313-ZN	65	140	33	4500	5600	92.27	59.87	2.09
6313-RS	65	140	33	4500	5600	92.27	59.87	2.09
6313-2RS	65	140	33	4500	5600	92.27	59.87	2.09
6314	70	150	35	4300	5300	103.64	68.12	2.54
6314/P5	70	150	35	4300	5300	103.64	68.12	2.54
6314/P6	70	150	35	4300	5300	103.64	68.12	2.54
6314N	70	150	35	4300	5300	103.64	68.12	2.54
6314-Z	70	150	35	4300	5300	103.64	68.12	2.54
6314-2Z	70	150	35	4300	5300	103.64	68.12	2.54
6314-ZN	70	150	35	4300	5300	103.64	68.12	2.54
6314-RS	70	150	35	4300	5300	103.64	68.12	2.54
6314-RS/P6	70	150	35	4300	5300	103.64	68.12	2.54
6314-2RS	70	150	35	4300	5300	103.64	68.12	2.54
6315	75	160	37	4000	5000	112.83	76.91	2.99
6315N	75	160	37	4000	5000	112.83	76.91	2.99
6315-Z	75	160	37	4000	5000	112.83	76.91	2.99
6315-2Z	75	160	37	4000	5000	112.83	76.91	2.99
6315-ZN	75	160	37	4000	5000	112.83	76.91	2.99
6315-RS	75	160	37	4000	5000	112.83	76.91	2.99
6315-2RS	75	160	37	4000	5000	112.83	76.91	2.99
6316	80	170	39	3800	4800	122.22	86.22	3.66
6316N	80	170	39	3800	4800	122.22	86.22	3.66

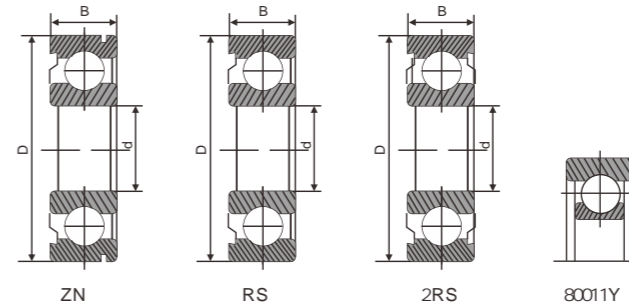
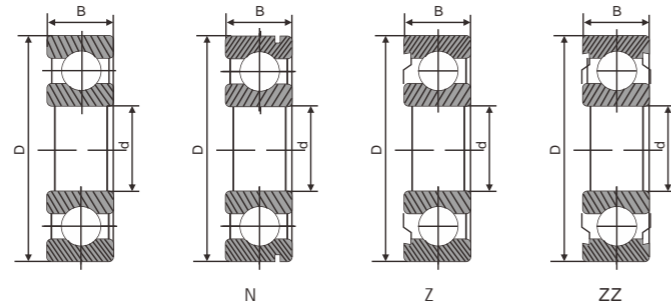
# DEEP GROOVE BALL BEARINGS DATA SHEET



BEARING NO.	BOUNDARY DIMENSIONS (MM)			SPEED RATING (IPM)		BASIC LOAD RATING (KN)		WEIGHT(KG)
	d	D	B	Grease Lubrication	Oil Lubrication	Cr	Cor	
6316-Z	80	170	39	3800	4800	122.22	86.22	3.66
6316-ZZ	80	170	39	3800	4800	122.22	86.22	3.66
6316-ZN	80	170	39	3800	4800	122.22	86.22	3.66
6316-RS	80	170	39	3800	4800	122.22	86.22	3.66
6316-2RS	80	170	39	3800	4800	122.22	86.22	3.66
6317	85	180	41	3600	4500	131.83	96.06	4.28
6317N	85	180	41	3600	4500	131.83	96.06	4.28
6317-Z	85	180	41	3600	4500	131.83	96.06	4.28
6317-ZZ	85	180	41	3600	4500	131.83	96.06	4.28
6317-ZN	85	180	41	3600	4500	131.83	96.06	4.28
6317-RS	85	180	41	3600	4500	131.83	96.06	4.28
6317-2RS	85	180	41	3600	4500	131.83	96.06	4.28
6318	90	190	43	3400	4300	141.65	106.45	4.99
6318N	90	190	43	3400	4300	141.65	106.45	4.99
6318-Z	90	190	43	3400	4300	141.65	106.45	4.99
6318-ZZ	90	190	43	3400	4300	141.65	106.45	4.99
6318-ZN	90	190	43	3400	4300	141.65	106.45	4.99
6318-RS	90	190	43	3400	4300	141.65	106.45	4.99
6318-2RS	90	190	43	3400	4300	141.65	106.45	4.99
6319	95	200	45	3200	4000	155.9	122.07	5.75
6319N	95	200	45	3200	4000	155.9	122.07	5.75
6319-Z	95	200	45	3200	4000	155.9	122.07	5.75

BEARING NO.	BOUNDARY DIMENSIONS (MM)			SPEED RATING (IPM)		BASIC LOAD RATING (KN)		WEIGHT(KG)
	d	D	B	Grease Lubrication	Oil Lubrication	Cr	Cor	
6319-2Z	95	200	45	3200	4000	155.9	122.07	5.75
6319-ZN	95	200	45	3200	4000	155.9	122.07	5.75
6319-RS	95	200	45	3200	4000	155.9	122.07	5.75
6319-2RS	95	200	45	3200	4000	155.9	122.07	5.75
6320	100	215	47	2800	3600	172.26	140.77	7.11
6320N	100	215	47	2800	3600	172.26	140.77	7.11
6320-Z	100	215	47	2800	3600	172.26	140.77	7.11
6320-2Z	100	215	47	2800	3600	172.26	140.77	7.11
6320-ZN	100	215	47	2800	3600	172.26	140.77	7.11
6320-RS	100	215	47	2800	3600	172.26	140.77	7.11
6320-2RS	100	215	47	2800	3600	172.26	140.77	7.11
6321	105	225	49	2600	3400	182.84	153.29	8.08
6321-Z	105	225	49	2600	3400	182.84	153.29	8.08
6321-2Z	105	225	49	2600	3400	182.84	153.29	8.08
6321-RS	105	225	49	2600	3400	182.84	153.29	8.08
6321-2RS	105	225	49	2600	3400	182.84	153.29	8.08
6322	110	240	50	2400	3200	204.52	177.17	9.57
6322-Z	110	240	50	2400	3200	204.52	177.17	9.57
6322-2Z	110	240	50	2400	3200	204.52	177.17	9.57
6322-RS	110	240	50	2400	3200	204.52	177.17	9.57
6322-2RS	110	240	50	2400	3200	204.52	177.17	9.57
6324	120	260	55	2500	3000	226.88	208.64	12.36

# DEEP GROOVE BALL BEARINGS DATA SHEET

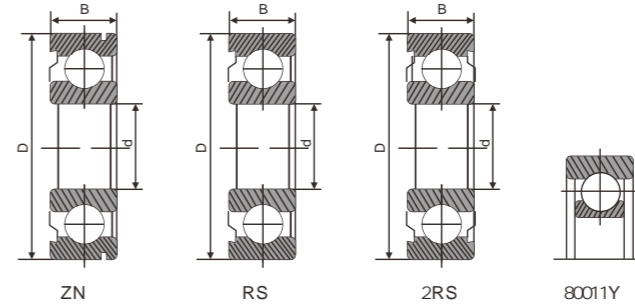
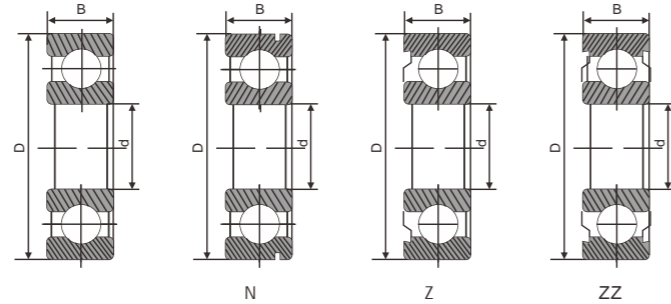


BEARING NO.	BOUNDARY DIMENSIONS (MM)			SPEED RATING (IPM)		BASIC LOAD RATING (KN)		WEIGHT(KG)
	d	D	B	Grease Lubrication	Oil Lubrication	Cr	Cor	
6324-Z	120	260	55	2500	3000	226.88	208.64	12.36
6324-ZZ	120	260	55	2500	3000	226.88	208.64	12.36
6324-RS	120	260	55	2500	3000	226.88	208.64	12.36
6324-2RS	120	260	55	2500	3000	226.88	208.64	12.36
6326	130	280	58	2300	2800	229	214	15.3
6326-Z	130	280	58	2300	2800	229	214	15.3
6326-ZZ	130	280	58	2300	2800	229	214	15.3
6326-RS	130	280	58	2300	2800	229	214	15.3
6326-2RS	130	280	58	2300	2800	229	214	15.3
6328	140	300	62	2100	2500	273.52	272.51	18.26
6328-Z	140	300	62	2100	2500	273.52	272.51	18.26
6328-ZZ	140	300	62	2100	2500	273.52	272.51	18.26
6328-RS	140	300	62	2100	2500	273.52	272.51	18.26
6328-2RS	140	300	62	2100	2500	273.52	272.51	18.26
6330	150	320	65	2000	2300	285.57	296.4	21.81
6330-Z	150	320	65	2000	2300	285.57	296.4	21.81
6330-ZZ	150	320	65	2000	2300	285.57	296.4	21.81
6330-RS	150	320	65	2000	2300	285.57	296.4	21.81
6330-2RS	150	320	65	2000	2300	285.57	296.4	21.81
6332	160	340	68	1900	2300	313	338.4	26.43
6332-Z	160	340	68	1900	2300	313	338.4	26.43
6332-ZZ	160	340	68	1900	2300	313	338.4	26.43

BEARING NO.	BOUNDARY DIMENSIONS (MM)			SPEED RATING (IPM)		BASIC LOAD RATING (KN)		WEIGHT(KG)
	d	D	B	Grease Lubrication	Oil Lubrication	Cr	Cor	
6332-RS	160	340	68	1900	2300	313	338.4	26.43
6332-2RS	160	340	68	1900	2300	313	338.4	26.43
6334	170	360	72	1800	2100	335.7	381.2	31.34
6334-Z	170	360	72	1800	2100	335.7	381.2	31.34
6334-2Z	170	360	72	1800	2100	335.7	381.2	31.34
6334-RS	170	360	72	1800	2100	335.7	381.2	31.34
6334-2RS	170	360	72	1800	2100	335.7	381.2	31.34
6336	180	380	75	1700	2000	375.7	425.8	35.23
6336-Z	180	380	75	1700	2000	375.7	425.8	35.23
6336-2Z	180	380	75	1700	2000	375.7	425.8	35.23
6336-RS	180	380	75	1700	2000	375.7	425.8	35.23
6336-2RS	180	380	75	1700	2000	375.7	425.8	35.23
6338	190	400	78	1600	1900	390.2	456.3	40.53
6338-Z	190	400	78	1600	1900	390.2	456.3	40.53
6338-2Z	190	400	78	1600	1900	390.2	456.3	40.53
6338-RS	190	400	78	1600	1900	390.2	456.3	40.53
6338-2RS	190	400	78	1600	1900	390.2	456.3	40.53
6405	25	80	21	8500	11000	38.43	20.41	0.51
6405/P5	25	80	21	8500	11000	38.43	20.41	0.51
6405N	25	80	21	8500	11000	38.43	20.41	0.51
6406	30	90	23	8000	10000	47.17	25.69	0.7
6406/P5	30	90	23	8000	10000	47.17	25.69	0.7

# DEEP GROOVE BALL BEARINGS

## DATA SHEET



BEARING NO.	BOUNDARY DIMENSIONS (MM)			SPEED RATING (IPM)		BASIC LOAD RATING (KN)		WEIGHT(KG)
	d	D	B	Grease Lubrication	Oil Lubrication	Cr	Cor	
6406N	30	90	23	8000	10000	47.17	25.69	0.7
6407	35	100	25	6700	8500	56.22	31.22	0.92
6407/P5	35	100	25	6700	8500	56.22	31.22	0.92
6407/P6	35	100	25	6700	8500	56.22	31.22	0.92
6407N	35	100	25	6700	8500	56.22	31.22	0.92
6408	40	110	27	6300	8000	65.15	37.35	1.21
6408/P5	40	110	27	6300	8000	65.15	37.35	1.21
6408N	40	110	27	6300	8000	65.15	37.35	1.21
6409	45	120	29	5600	7000	76.75	45.54	1.52
6409N	45	120	29	5600	7000	76.75	45.54	1.52
6410	50	130	31	5300	6700	92.24	55.13	1.87
6410N	50	130	31	5300	6700	92.24	55.13	1.87
6411	55	140	33	4800	6000	99.89	62.71	2.31
6411N	55	140	33	4800	6000	99.89	62.71	2.31
6412	60	150	35	4500	5600	108.21	70.3	2.81
6412N	60	150	35	4500	5600	108.21	70.3	2.81
6413	65	160	37	4300	5200	111	72.5	3.3
6413N	65	160	37	4300	5200	111	72.5	3.3
6414	70	180	42	3900	4600	128	89.5	4.83
6414N	70	180	42	3900	4600	128	89.5	4.83
6415	75	190	45	3600	4400	138	99	5.72
6415N	75	190	45	3600	4400	138	99	5.72

BEARING NO.	BOUNDARY DIMENSIONS (MM)			SPEED RATING (IPM)		BASIC LOAD RATING (KN)		WEIGHT(KG)
	d	D	B	Grease Lubrication	Oil Lubrication	Cr	Cor	
6416	80	200	48	3400	4100	164	125	6.76
6416N	80	200	48	3400	4100	164	125	6.76
6417	85	210	52	3200	3900	165	128	7.95
6417N	85	210	52	3200	3900	165	128	7.95
6418	90	225	54	3000	3700	184	149	9.56
6418N	90	225	54	3000	3700	184	149	9.56
6419	95	240	55	3000	3500	186	153	13.4
6419N	95	240	55	3000	3500	186	153	13.4
6420	100	250	58	2900	3400	206	175	12.9
6420N	100	250	58	2900	3400	206	175	12.9
6422	110	280	65	2600	3000	247	227	18.34
6422N	110	280	65	2600	3000	247	227	18.34
6424	120	310	72	2300	2800	291	287	29
6424N	120	310	72	2300	2800	291	287	29
6426	130	340	78	2200	2500	300	298	38
6426N	130	340	78	2200	2500	300	298	38